

**8000-10000lbs [4-5t]**

**H3 IC Pneumatic Tire Forklift**

CP[Q]YD40-50



# H3 SERIES CP[Q]YD40-50

## Technical features *remarkably improved*



### ↓ *Damping*

- > With suspension damping struction on overhead guard and optimized design for the transmission,the whole trucks's vibration reduced a lot and relieve driver's fatigue greatly

### ↓ *Noise reduction*

- > Equipped with optimize designed parts around the engine,noise nearby ear and the truck sound level are reduced greatly

### ↓ *Heat dissipation*

- > With the optimized cooling system and great cooling performance,highly improved the reliability and durability of the transmission and engine,etc, many key parts.





---

## *Efficiency*

- > With more power and low emission engine, stronger loading capacity, higher gradeability; With load sensing hydraulic system, quicker lifting speed, higher working efficiency

---

## *Reliability*

- > Strengthen and Optimize designed core structure parts, strength improved greatly; with intelligent gear shifting technology to avoid 2nd-gear start, improved transmission life

---

## *Comfort*

- > Intelligent gear shifting system, ease of operation  
Standard half surrounded seat, safety and comfort

---

## *Maintainability*

- > Wider internal space, more reasonable parts layout and 80° hood opening angle make maintenance easy
- 



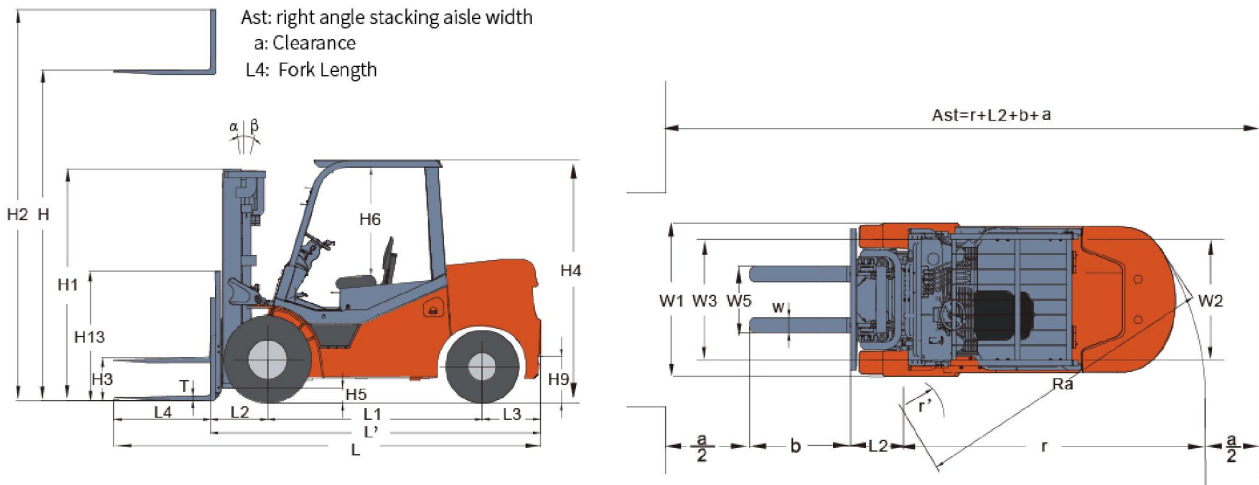
# H3 SERIES CP[Q]YD40-50

## Manufacturer and technical parameters

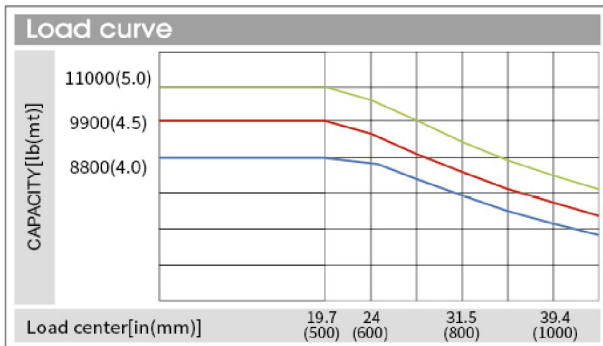
Character										
1.01	manufacturer				HELI					
1.02	model			CP (Q)YD40		CP (Q)YD45		CP (Q)YD50		
1.03	rated capacity		lb	kg	8000	3650	9000	4100	10000	4550
1.04	load center		in	mm	24	600	24	600	24	600
1.05	operation mode		type	type	Seat type					
Dimensions										
2.01	Max.lifting height	H	in	mm	118	3000	118	3000	118	3000
2.02	Mast overall height(fork to the ground and mast be vertical)	H1	in	mm	89.6	2275	89.6	2275	89.6	2275
2.03	Max.fork lifting height(with backrest)	H2	in	mm	167.3	4250	167.3	4250	167.3	4250
2.04	Free lift height	H3	in	mm	5.9	150	5.9	150	5.9	150
2.05	Overall height(overhead guard)	H4	in	mm	92.5	2350	92.5	2350	92.5	2350
2.06	Min.ground clearance(at the mast)	H5	in	mm	6.9	175	6.9	175	6.9	175
2.07	Distance from the surface of the seat to the overhead guard	H6	in	mm	40.2	1020	40.2	1020	40.2	1020
2.08	Traction pin height	H9	in	mm	15	380	15	380	15	380
2.09	Backrest height(calculated from the surface of the fork)	H13	in	mm	49.2	1250	49.2	1250	49.2	1250
2.10	Overall length(with fork/without fork)	(L/L')	in	mm	169.7/127.6	4310/3240	169.7/127.6	4310/3240	175.6/127.6	4460/3240
2.11	Wheel base	L1	in	mm	82.7	2100	82.7	2100	82.7	2100
2.12	Front overhang	L2	in	mm	22	560	22	560	22	560
2.13	Rear overhang	L3	in	mm	22.8	580	22.8	580	22.8	580
2.14	Overall width	W1	in	mm	59.4	1510	59.4	1510	59.4	1510
2.15	Tread (front/rear)	(W3/W2)	in	mm	48.4/46.9	1230/1190	48.4/46.9	1230/1190	48.4/46.9	1230/1190
2.16	Fork adjustable range(the external of the fork)(Max./Min.)	W5	in	mm	52.4/11.8	1330/300	52.4/11.8	1330/300	52.4/11.8	1330/300
2.17	Min.turning radius(exterior)	r	in	mm	110.6	2810	110.6	2810	110.6	2810
2.18	Min.turning radius(interior)	r'	in	mm	8.5	215	8.5	215	8.5	215
2.19	Min.right angle aisle width	Ra	in	mm	124	3150	124	3150	124	3150
2.20	Min.right angle stacking aisle width	Ast	in	mm	187.4	4760	187.4	4760	187.4	4760
2.21	Mast tilting angle (front/rear)	$\alpha/\beta$	deg	deg	6°/12°					
2.22	Fork size	L4×W×T	in	mm	42.1×5.9×1.97	1070×150×50	42.1×5.9×1.97	1070×150×50	48×5.9×1.97	1220×150×50
Weight										
3.01	Total weight		lb	kg	14420	6540	14860	6740	15430	7000
Wheel and tyre										
4.01	Wheel number×= drive wheel (front/rear)				2X/2					
4.02	Tyre type(front/rear)				Pneumatic tyre					
4.03	Tyre size(front/rear)				8.25-15-14PR/7.00-12-12PR			300-15-18PR/7.00-12-12PR		
4.04	Service brake				Hydraulic-Foot Pedal					
4.05	Parking brake				Mechanical-Hand Lever					

Performance						
Model			CPQYD40-KUH		CPQYD45-KUH	
Max.drawbar pull (Loaded/Unloaded)	lbf	kN	7870/5620	35/25	7870/5620	35/25
*Max.Gradeability (Loaded/Unloaded)*	%	%	21/30		21/29	
Max.traveling speed (Loaded/Unloaded)	mph	km/h	16.2/16.8	26/27	16.2/16.8	26/27
Lifting Speed (Loaded/Unloaded)	ft/min	mm/s	118.2/114.3	600/580	118.2/114.3	600/580
Lowing Speed (Loaded/Unloaded)	ft/min	mm/s	86.7/82.7	440/420	86.7/82.7	440/420
Drive and transmission control device						
Engine mode						
Engine rated power	HP/rpm	kW/rpm	GAS:73.2/2400 LPG:73.2/2400	GAS:54.6/2400 LPG:54.6/2400	GAS:73.2/2400 LPG:73.2/2400	GAS:54.6/2400 LPG:54.6/2400
Engine rated torque	(lbf.ft)/rpm	Nm/rpm	GAS:182/1400 LPG:200.1/1400	GAS:246.8/1400 LPG:271.4/1400	GAS:182/1400 LPG:200.1/1400	GAS:246.8/1400 LPG:271.4/1400
Engine cylinder number-borexstroke						
Engine displacement	L	L				
Engine type					GAS/LPG	
Emission					EPA/CARB,EUstage V	
Battery(Voltage/Capacity)	V/Ah	V/Ah				
Engine fuel tank capacity	L	L				
Transmission box shifting gears (Front/Rear type)	type					

Note:\*stands for theoretical calculating value.



Performance								
Model	CPQYD50-KUH		CPYD40-KUH		CPYD45-KUH		CPYD50-KUH	
Max.drawbar pull	8095/5620	36/25	8320/5170	37/23	8320/5170	37/23	8545/5170	38/23
*Max.Gradeability	21/27		21/30		21/29		21/27	
Max.traveling speed	16.2/16.8	26/27	16.2/16.8	26/27	16.2/16.8	26/27	16.2/16.8	26/27
Lifting Speed	118.2/114.3	600/580	118.2/114.3	600/580	118.2/114.3	600/580	118.2/114.3	600/580
Lowing Speed	86.7/82.7	440/420	86.7/82.7	440/420	86.7/82.7	440/420	86.7/82.7	440/420
Drive and transmission control device								
Engine mode	KUBOTA WG3800							
Engine rated power	GAS:73.2/2400 LPG:73.2/2400	GAS:54.6/2400 LPG:54.6/2400	LPG:84.8/2400	LPG:63.2/2400	LPG:84.8/2400	LPG:63.2/2400	LPG:84.8/2400	+LPG:63.2/2400
Engine rated torque	GAS:182/1400 LPG:200.1/1400	GAS:246.8/1400 LPG:271.4/1400	LPG:208.3/1200	LPG:282.4/1200	LPG:208.3/1200	LPG:282.4/1200	LPG:208.3/1200	LPG:282.4/1200
Engine cylinder number-borexstroke	4-100×120							
Engine displacement	3.77							
Engine type	LPG							
Emission	EPA/CARB,EUstage V							
Battery(Voltage/Capacity)	12/80							
Engine fuel tank capacity	90							
Transmission box shifting gears (Front/Rear type)	2-1Power Shift T/M							



— CP(Q)YD40     
 — CP(Q)YD45     
 — CP(Q)YD50

**Note:** The vertical axis stands for load capacity and the horizontal axis stands for load center which is calculated from the front of the fork. The base point of the standard load refers to the center position of the cube with 1000mm length of side. When mast is tilted forward, nonstandard fork usage or load with over wide goods, load capacity will be reduced. Different load capacity in different load center can be known in time through load chart.

**WIDE VIEW MAST**

Mast model	Max. lifting height		Load capacity (load center 500mm)						Overall Height (fork to the ground)		Freelift (With Backrest)		Mast Tilting angle	Service Weight(unload)					
			CP(Q)YD40		CP(Q)YD45		CP(Q)YD50							CP(Q)YD40		CP(Q)YD45		CP(Q)YD50	
	in	mm	lb	Kg	lb	Kg	lb	Kg	in	mm	in	mm	(°)α/β	lb	Kg	lb	Kg	lb	Kg
M260	102.4	2600	8000	3650	9000	4100	10000	4550	81.7	2075	5.9	150	6°/12°	14350	6510	14790	6710	15365	6970
M270	106.3	2700	8000	3650	9000	4100	10000	4550	83.7	2125	5.9	150	6°/12°	14375	6520	14815	6720	15390	6980
M300	118	3000	8000	3650	9000	4100	10000	4550	89.6	2275	5.9	150	6°/12°	14420	6540	14860	6740	15430	7000
M330	130	3300	8000	3650	9000	4100	10000	4550	95.5	2425	5.9	150	6°/12°	14460	6560	14905	6760	15475	7020
M350	137.8	3500	8000	3650	9000	4100	10000	4550	99.4	2525	5.9	150	6°/12°	14505	6580	14950	6780	15520	7040
M370	145.7	3700	8000	3650	9000	4100	10000	4550	103.3	2625	5.9	150	6°/12°	14530	6590	14970	6790	15540	7050
M375	147.6	3750	8000	3650	9000	4100	10000	4550	104.3	2650	5.9	150	6°/12°	14550	6600	14990	6800	15565	7060
M400	157.5	4000	8000	3650	9000	4100	10000	4550	111.2	2825	5.9	150	6°/6°	14570	6610	15015	6810	15585	7070
M425	167.3	4250	7800	3550	8600	3900	9350	4250	116.1	2950	5.9	150	6°/6°	14705	6670	15145	6870	15720	7130
M450	177.2	4500	8000	3650	9000	4100	10000	4550	121	3075	5.9	150	6°/6°	14725	6680	15170	6880	15740	7140
M475	187	4750	7150	3250	8150	3700	8800	4000	126	3200	5.9	150	6°/6°	14770	6700	15210	6900	15785	7160
M500	196.9	5000	7800	3500	8400	3800	9200	4100	130.9	3325	5.9	150	6°/6°	14815	6720	15255	6920	15830	7180
M550	216.5	5500	6250	2850	6700	3050	7500	3420	140.7	3575	5.9	150	3°/6°	14835	6730	15280	6930	15850	7190
M600	236.2	6000	*6150	*2800	*6700	*3050	*7500	*3420	150.6	3825	5.9	150	3°/6°	14880	6750	15320	6950	15895	7210

Note: (1) \*stands for the rated capacity when the front tyre is double-tyre. (2) When the front tyre of the 2-3.5t truck is double tyre, the service weight of the truck is the weight in the table plus 110kg.

**WIDE VIEW FULL FREE 2-STAGE MAST**

Mast model	Max. lifting height		Load capacity (load center 500mm)						Overall Height (fork to the ground)		Freelift (With Backrest)		Mast Tilting angle	Service Weight(unload)					
			CP(Q)YD40		CP(Q)YD45		CP(Q)YD50							CP(Q)YD40		CP(Q)YD45		CP(Q)YD50	
	in	mm	lb	Kg	lb	Kg	lb	Kg	in	mm	in	mm	(°)α/β	lb	Kg	lb	Kg	lb	Kg
ZM261	102.8	2610	8000	3650	9000	4100	10000	4550	83.1	2110	20.9	530	6°/12°	14580	6615	15025	6815	15600	7075
ZM271	106.7	2710	8000	3650	9000	4100	10000	4550	85	2160	22.8	580	6°/12°	14640	6640	15080	6840	15650	7100
ZM300	118	3000	8000	3650	9000	4100	10000	4550	90.7	2305	28.5	725	6°/12°	14750	6690	15190	6890	15760	7150
ZM330	130	3300	8000	3650	9000	4100	10000	4550	96.7	2455	34.4	875	6°/12°	14781	6705	15220	6905	15780	7165
ZM350	137.8	3500	8000	3650	9000	4100	10000	4550	100.6	2555	38.4	975	6°/12°	14805	6715	15245	6915	15820	7175
ZM375	147.6	3750	8000	3650	9000	4100	10000	4550	105.5	2680	43.3	1100	6°/12°	14835	6730	15280	6930	15850	7190
ZM400	157.5	4000	8000	3650	9000	4100	10000	4550	110.4	2805	48.2	1225	6°/6°	14870	6745	15310	6945	15885	7205
ZM450	177.2	4500	7600	3450	8350	3800	9000	4100	120.3	3055	58.1	1475	6°/6°	14925	6770	15370	6970	15940	7230
ZM500	196.9	5000	8000	3650	9000	4100	10000	4550	130.1	3305	67.9	1725	6°/6°	15000	6805	15445	7005	16015	7265
ZM550	216.5	5500	6800	3100	7500	3420	7500	3420	140	3555	77.8	1975	3°/6°	15060	6830	15500	7030	16070	7290
ZM600	236.2	6000	*6150	*2800	*6700	*3050	*7500	*3420	149.8	3805	87.6	2225	3°/6°	15110	6855	15550	7055	16126	7315

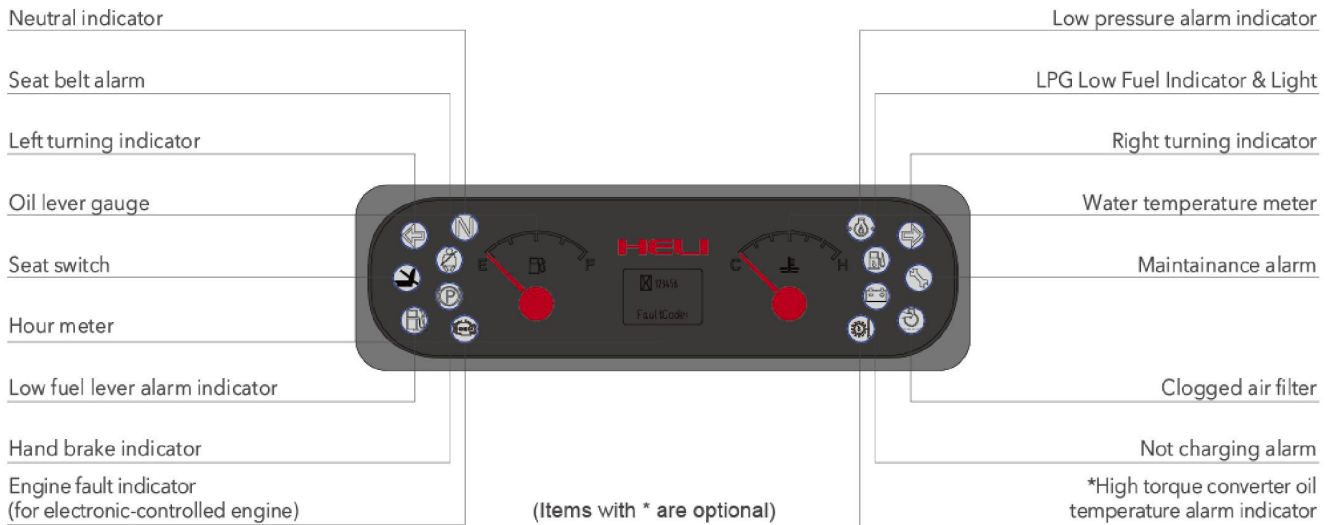
Note: (1) \*stands for the rated capacity when the front tyre is double-tyre  
 (2) When the front tyre of the 8000-10000lbs truck is double tyre, the service weight of the truck is the weight in the table plus 300lbs  
 (3) The free lifting height (without backrest) of the 8000-10000lbs truck is the height (without backrest) in the table plus 12.8in

**WIDE VIEW FULL FREE 3-STAGE MAST**

Mast model	Max. lifting height		Load capacity (load center 500mm)						Overall Height (fork to the ground)		Freelift (With Backrest)		Mast Tilting angle	Service Weight(unload)					
			CP(Q)YD40		CP(Q)YD45		CP(Q)YD50							CP(Q)YD40		CP(Q)YD45		CP(Q)YD50	
	in	mm	lb	Kg	lb	Kg	lb	Kg	in	mm	in	mm	(°)α/β	lb	Kg	lb	Kg	lb	Kg
ZSM392	154.3	3920	7700	3500	8700	3950	9550	4350	88.6	2250	25.6	650	6°/6°	15160	6880	15600	7080	16180	7340
ZSM435	171.3	4350	8050	3700	9000	4100	10000	4550	94.3	2395	31.3	795	6°/6°	15200	6900	15650	7100	16230	7360
ZSM450	177.2	4500	7600	3450	8600	3900	9550	4350	96.3	2445	33.3	845	6°/6°	15250	6920	15700	7120	16270	7380
ZSM470	185	4700	6500	2950	7600	3450	8250	3750	99	2515	37.6	955	6°/6°	15300	6940	15740	7140	16310	7400
ZSM480	189	4800	6800	3100	8000	3650	8800	4000	100.2	2545	39	990	6°/6°	15320	6950	15760	7150	16340	7410
ZSM500	196.9	5000	6050	2750	6800	3100	7700	3500	104.1	2645	41	1040	6°/6°	15360	6970	15800	7170	16380	7430
ZSM540	212.6	5400	5700	2600	6250	2850	7350	3350	108.7	2760	45.9	1165	6°/6°	15450	7010	15900	7210	16470	7470
ZSM600	236.2	6000	*5250	*2400	*6250	*2850	*7150	*3250	118.5	3010	55.3	1405	3°/6°	15630	7090	16070	7290	16650	7550

Note: (1) \*stands for the rated capacity when the front tyre is double-tyre  
 (2) When the front tyre of the 8000-10000lbs truck is double tyre, the service weight of the truck is the weight in the table plus 300lbs  
 (3) The free lifting height (without backrest) of the 8000-10000lbs truck is the height (without backrest) in the table plus 12.8in

Reliable special designed instrument



Standard configuration

Optional

Hom	Standard fork	Driver's cab	Double-tyre and protected device
Control valve	Integration electric box	Warning light	Rotating seat for LPG
Wholly hydraulic-powered steering	Hydraulic circuit oil filter	High air exhausting device	Over speed alarm
Half surrounded seat	Speed-limiting valve	Double air cleaner	Counter weight protective screening
Backrest	Wide view mast	Suspension seat	Rear View Camera/Overhead guard top rain glass
Rear view mirror	Air intaking device	Fork extension	SAE standard
Front combined lamp	Durable tire with decorative pattern	Heater	Engine hood locking
Transmission oil filter	Lifting and tilting operation handles	Solid tyre	Thin-point type fork
Engien flame out device	Traction pin	Widen fork carriage	Soundproof and noise reducing device
Rachet type parking brake	Head lamp	Wind shield	Universal key
Driver's tools	Hydraulic oil dipstick	Rear working light	Radiator protected screening
Power brake	Overhead guard	Air condition(certain type)	Tractor pin with mild steel safeguard
Rear combined lamp	Torque converter oil dipstick	Torque converter oil temperature meter	Overspeed alarm device
Reversing buzzer	Combined instrument	Tilting cylinder protection cover	High temperature resistant device
Tilt-lock valve	Electric-hydraulic direction changing	User-specified color	Fuel tank with lock
Tilt adjustable steering column		Optional attachments	Weighting device
Overhear guard rain cover			Cab with skylight
OPS(travling control system)			

